

Overview

The SITRANS FCS300 sensor is available in DN 15 to DN 150 mm sizes in stainless steel AISI 316 L or nickel alloy wetted material. The sensor design consists of process connections, inlet and outlet manifolds mounted in a stiff frame and two parallel tubes equally sharing the process medium flow.

The sensing tubes are curved in the CompactCurve shape which gives high sensitivity and low pressure loss. The CompactCurve shape was selected to ensure that the smallest flows are measured with optimal signal to noise ratio.

The compact sensor design with a split flow dual tube design with high driver frequency is suitable for high end applications in all industry segments e.g. Chemical, Oil & Gas, Refineries, F&B and Power.

A variety of process connections available to cover all common process connections and pressure ratings.

The sensor has a solid stainless steel fully welded enclosure to protect the measuring tubes from any harsh environments. For hazardous area applications the FCS300 comes in a number of common hazardous area approved like Atex, IECEx, cCSAus, EAC, and NEPSI.

Flow Measurement

SITRANS FC (Coriolis)

Sensors and Flowmeter systems / SITRANS FCS300 flow sensor

Integration

The SITRANS FCS300 sensor is suitable for both indoor and outdoor installation and meets the requirements of Protection Class IP67/NEMA 4X. Optionally the sensor can be ordered with hazardous certification to Zone 1 and Div 1 (ATEX, IECEx, cCSAus, EAC Ex, NEPSI).

The flowmeter is bidirectional and can be installed in any orientation. The sensor is self-draining in many positions, with vertical mounting preferred.

It is important to ensure that the sensor tubes are always completely filled with homogeneous fluid; otherwise measuring errors may occur. Suitable fluids are clean liquids, pastes, light slurries or gases. Condensing vapours, aerated liquids or slush are not recommended.

The materials in contact with the process medium must be evaluated for corrosion and erosion resistances for long sensor life.

The pressure drop through the sensor is a function of the properties of the fluid and the flow rate. A pressure loss and accuracy calculator can be found on the Siemens internet site www.siemens.com.

The preferred flow direction is indicated by an arrow on the sensor. Flow in the direction of the arrow will be measured as positive. The flow direction can be adjusted at the transmitter to compensate for reverse installation.

Installation orientation

The optimal installation orientation is vertical with the flow upwards. This ensures that suspended solids or bubbles are completely pushed through the sensor. A drain valve below the sensor will allow the pipe and sensor to drain completely.

Supports

In order to support the weight of the flowmeter and to ensure reliable measurements when external effects exist (e.g. plant vibrations), the sensor should be installed in rigidly supported pipelines.

Supports or hangers should be installed symmetrically and stress-free in close proximity to both of the process connections.

Shut-off devices

To conduct a system zero adjustment, secure shut-off devices are required in the pipeline.

Where possible, shut-off devices should be installed both upstream and downstream of the flowmeter.

Configuration

Installation guidelines

- The mass flowmeter does not require any flow conditioning or straight inlet pipe sections. Care should be exercised however to ensure that any upstream valves, gates, sight glasses etc. do not cavitate and are not set into vibration by the flow.
- It is always preferred to place the flowmeter upstream of any control valve or other pipeline component which may cause flashing, cavitation or vibrations.
- The presence of gas bubbles in the fluid may result in erroneous measurements, particularly in the density measurement. Therefore the flowmeter should not be installed at the lowest pressure point in the liquid piping system or where vapour can collect. Install the meter in pipeline sections with high pressure to maintain system pressure and compress any bubbles.
- Drop lines downstream from the flow sensor should be avoided to prevent the meter tube from draining during flowing conditions. A back-pressure device or orifice is recommended to ensure that flow does not separate within the flow sensor but the metering section remains at positive pressure at all times while there is flow.
- The flowmeter should not come into contact with any other objects. Avoid making attachments to the housing except for the pressure guard components (if required).
- When the connecting pipeline is larger than the sensor size, suitable standard reducers may be installed. A selection of oversize and undersize connections can be ordered - refer to the sizes tables below.
- The flow sensor may be supported at the junction between process connection and the manifold, but should not be used to support adjacent piping. Ensure that the piping is also supported on both sides so that connection stresses are neutral.
- If strong vibrations exist in the pipeline, they should be damped using elastic pipeline elements. The damping devices must be installed outside the supported flowmeter section. Direct connection of flexible elements to the sensor should be avoided.
- Make sure that any dissolved gases, which are present in many liquids, do not outgas. The back pressure at the outlet should be at least 0.2 bar (3 psi) above the vapour pressure of the process fluid.
- Assure that operation below the vapour pressure cannot occur particularly for fluids with low latent heat of vaporisation.
- The sensor should not be installed in the vicinity of strong electromagnetic fields, e.g. near motors, pumps, variable frequency drives, transformers etc.
- When operating meters on a common mounting base the sensors should be mounted and spaced separate from each other to avoid cross-talk and other vibration interferences.
- When operating meters in interconnected pipelines the pipes should be decoupled to prevent cross talk.

Remote system cabling

The system is designed so that standard instrumentation cable with four cores and overall screen or two screened pairs can be used, or cable sets can be ordered with the flowmeter. The cable can be ordered in various set lengths and terminated in the field.

Be aware of maximum sensor length cable depending on product selection, currently 75 m. Data transmission speed and process variable update rates may be affected by the cable characteristics. For best results, choose a cable with the following electrical characteristics:

Configuration (continued)

Property	Unit	Value
Resistance	[Ω /km]	59
Characteristic impedance	[Ω]	100 @ 1 MHz
Insulation resistance	[M Ω /km]	200
Maximum voltage	[V]	300

The flowmeter system applies maximum 15 V DC in operation and is certified intrinsically safe. The complete system is insulation tested to 1 500 V in production.

Cabling solutions which can be ordered with the flowmeter are as follows:

1. High performance plugged cable using M12 connectors into prepared sockets
2. Cable glands for either metric or NPT threaded terminal housings
3. Plain cable in set lengths to be passed through flexible and rigid conduit (not supplied) for metric or NPT threaded terminal housings

Cable for items 1, 2 and 3 are available either gray for standard applications or light blue for Ex applications to identify the circuit as intrinsically safe.

Insulation and heating

For applications where pipeline insulation is required for personnel protection or process temperature maintenance, the SITRANS FCS300 flow sensor may also be insulated. The form and material of insulation is not prescribed and entirely depends on the practices at the application location or plant.

Insulation must not be crowded around the sensor pedestal but shaped at a 45° cone to allow the pedestal to radiate excess heat and maintain a suitable working temperature within the front-end transmitter housing.

Flow Measurement

SITRANS FC (Coriolis)

Sensors and Flowmeter systems / SITRANS FCS300 flow sensor

Technical specifications

Flow sensor FCS300							
Parameter	Unit	Value					
Process media		<ul style="list-style-type: none"> Fluid Group 1 (suitable for dangerous fluids) Aggregate state: Paste/light slurry, liquid and gas 					
Process pressure range	[barg (psi)]	The maximum permissible operating pressure is determined by the respective process connection and the temperature of the medium 316L: 0 ... 100 (0 ... 1 450) Nickel-alloy C4 (2.4610) ³⁾ : 0 ... 100 (0 ... 1 450)					
Process temperature range	[°C (°F)]	The maximum permissible process temperature is determined by the respective process connection -50 ... +205 (-58 ... +400)					
Ambient temperature range	[°C (°F)]	-40 ... +70 (-40 ... +158)					
Transport temperature range	[°C (°F)]	-40 ... +70 (-40 ... +158)					
Density range	[kg/m ³ (lb/ft ³)]	1 ... 5 000 (0.062 ... 312.2)					
No. of process values							
<ul style="list-style-type: none"> Primary process values 		<ul style="list-style-type: none"> Mass flow Density Process medium temperature 					
<ul style="list-style-type: none"> Derived process values 		<ul style="list-style-type: none"> Volume flow Standard volume flow (with reference density) Fraction A:B Fraction % A:B 					
Performance specifications		Sensor					
Parameter	Unit	DN 15	DN 25	DN 50	DN 80	DN 100	DN 150
Max. zero point error		0.6 (0.0235)	2.16 (0.0792)	7.2 (0.264)	20 (0.735)	41.6 (1.628)	68.8 (2.528)
Q _{min} (1 % error) ⁴⁾	[kg/h (lb/min)]	70 (2.57)	240 (8.92)	800 (29.4)	2 000 (73.5)	4 000 (146.9)	6 900 (253.5)
Q _{nom} (1 bar pressure)	[kg/h (lb/min)]	4 500 (163.3)	20 500 (753.2)	49 000 (1 800)	122 000 (4 483)	273 000 (10 031)	459 200 (16 873)
Q _{max} ²⁾	[kg/h (lb/min)]	8 000 (293.9)	35 000 (1 286)	90 000 (3 307)	250 000 (9 186)	520 000 (19 107)	860 000 (31 600)
Linearity error mass flow							
<ul style="list-style-type: none"> for liquids¹⁾ 	0.1% massflow sensor [%]	± 0.1	± 0.1	± 0.1	± 0.1	± 0.1	± 0.1
	0.2% massflow sensor [%]	± 0.2	± 0.2	± 0.2	± 0.2	± 0.2	± 0.2
<ul style="list-style-type: none"> for gases (additional) 	[%]	± 0.40	± 0.40	± 0.40	± 0.40	± 0.40	± 0.40
Repeatability mass flow	[%]	± 0.05	± 0.05	± 0.05	± 0.05	± 0.05	± 0.05
Density accuracy with 0.1%	[kg/m ³ (lb/ft ³)]	± 2 (± 0.124)	± 2 (± 0.124)	± 2 (± 0.124)	± 2 (± 0.124)	± 2 (± 0.124)	± 2 (± 0.124)
Density accuracy with 0.2 %	[kg/m ³ (lb/ft ³)]	± 10 (± 0.62)	± 10 (± 0.62)	± 10 (± 0.62)	± 10 (± 0.62)	± 10 (± 0.62)	± 10 (± 0.62)
Temperature error	[°K]	± 0.5	± 0.5	± 0.5	± 0.5	± 0.5	± 0.5

¹⁾ Increased error can be expected for gas mass flow measurement (for gas measurement typically + 0.40 % error).

²⁾ For gas applications the max. flowrate is calculated at Mach-Number = 0.3.

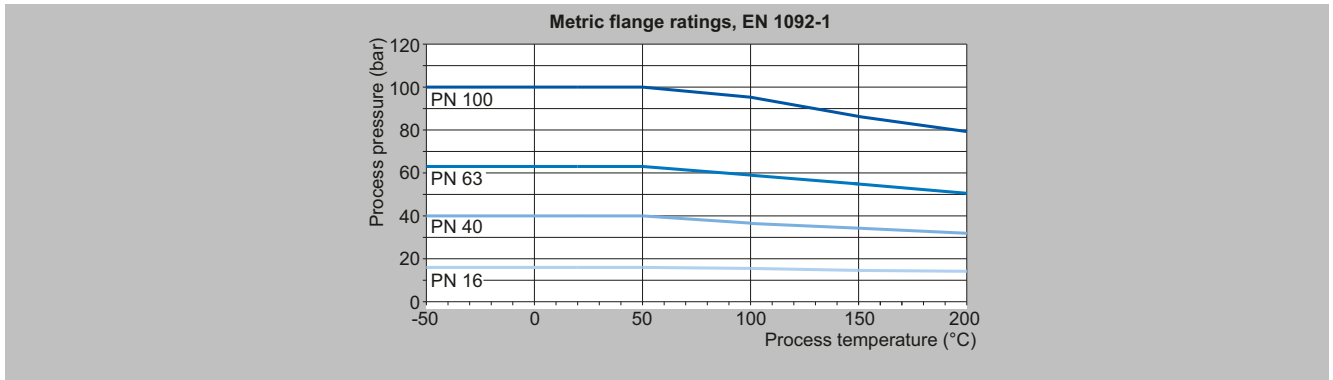
³⁾ Hastelloy C is a registered trademark of Haynes International. C4 nickel alloys are equivalent to Hastelloy C4.

⁴⁾ Valid for the 0.1% sensor.

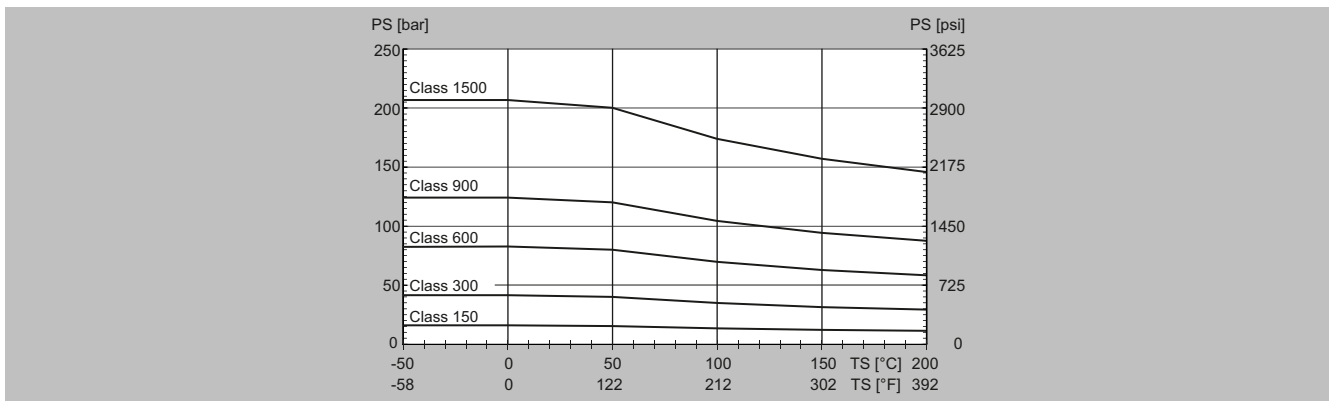
Pressure/temperature curves

With two major exceptions, the pressure rating of the flow sensors is independent of the process medium temperature. Design rules for flange connections in both the EN 1092-1 and ASME B16.5 standards dictate pressure derating with increasing temperature. The charts below show the effect of process medium temperature on the pressure ratings for the flanges within the FCS300 product program.

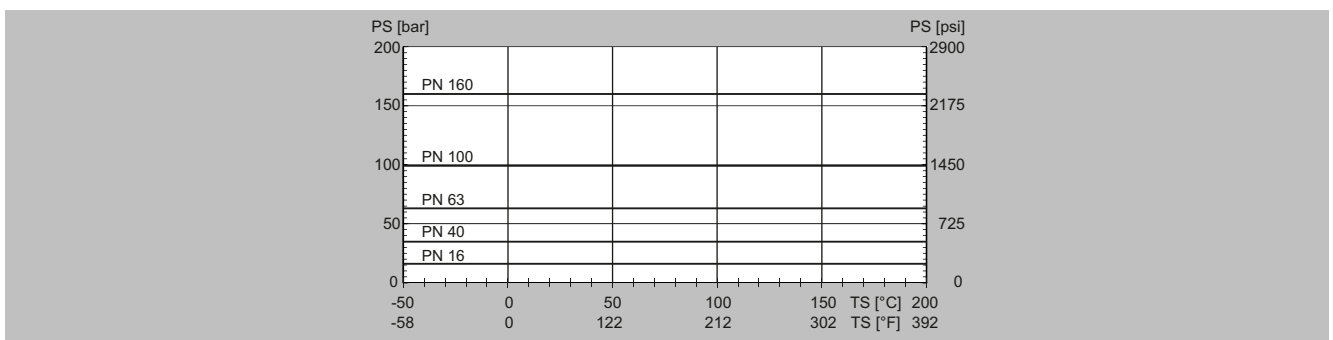
Technical specifications (continued)



EN1092-1 flanged sensors in AISI 316L



Stainless steel ASME flange 1.4571/1.4404 (AISI 316Ti/316L) up to DN200 (8")



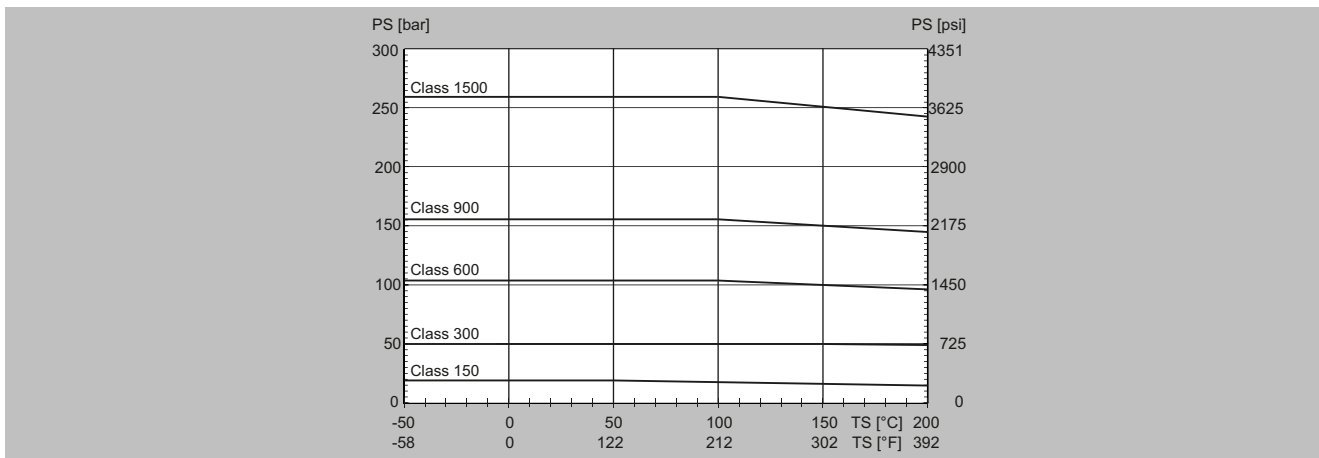
Nickel alloy DIN flange C4 (2.4610) or nickel alloy C22 (2.4602) up to DN200 (8")

Flow Measurement

SITRANS FC (Coriolis)

Sensors and Flowmeter systems / SITRANS FCS300 flow sensor

Technical specifications (continued)



Nickel alloy ASME flange C4 (2.4610) or nickel alloy C22 (2.4602) up to DN200 (8")

Sanitary connections

Design	Nominal size	PS _{max}		TS _{max}		TS _{min}	
		[bar]	[psi]	[°C]	[°F]	[°C]	[°F]
Pipe fitting DIN 11851	DN 15 ... 40 (½ ... 1½")	40	580	140	284	-40	-40
	DN 50 ... 100 (2 ... 4")	25	363	140	284	-40	-40
Pipe fitting SMS 1145	DN 25 ... 80 (1 ... 3")	6	87	140	284	-40	-40
Clamp DIN 32676	DN 15 ... 50 (½ ... 2")	16	232	120	248	-40	-40
	DN 65 ... 100 (2½ ... 4")	10	145	120	248	-40	-40

Sensor variants

SITRANS FCS300 sensors are available in a wide range of process connections. The available combinations of type, sensor size and connection size are shown in the tables below.

Standard variants

Standard: 7ME463-....											
Sensor	Connection	EN 1092-1 B1, PN 16	EN 1092-1 B1, PN 40	EN 1092-1 B2, PN 63	EN 1092-1 B2, PN 100	EN 1092-1 D, PN 40	ANSI B16- .5-2009, class 150	ANSI B16- .5-2009, class 300	ANSI B16- .5-2009, class 600	ANSI B16- .5-2009, class 900	ANSI B16- .5-2009, class 1500
DN 15 (½")	DN 10 (3/8")		•							• ¹⁾	• ¹⁾
	DN 15 (½")		•	•	•	•	•	•	•		
	DN 20 (¾")		•				•				
DN 25 (1")	DN 20 (¾")		•				•			• ¹⁾	• ¹⁾
	DN 25 (1")		•	•	•	•	•	•	•		
	DN 40 (1½")		•	•	•	•	•	•	•		
DN 50 (2")	DN 40 (1½")		•	•	•	•	•	•	•	•	•
	DN 50 (2")		•	•	•	•	•	•	•	• ¹⁾	• ¹⁾
	DN 65 (2½")		•	•			•		•	• ¹⁾	• ¹⁾
DN 80 (3")	DN 65 (2½")		•	•	•	•	•	•	•	• ¹⁾	• ¹⁾
	DN 80 (3")		•	•	•	•	•	•	•	• ¹⁾	• ¹⁾
	DN 100 (4")	•	•	•	•	•	•	•	•	• ¹⁾	• ¹⁾
DN 100 (4")	DN 80 (3")	•	•	•	•	•	•	•	•	• ¹⁾	• ¹⁾
	DN 100 (4")	•	•	•	•	•	•	•	•	• ¹⁾	• ¹⁾
	DN 150 (6")	•	•	•	•	•	•	•	•	• ¹⁾	• ¹⁾
DN 150 (6")	DN 100 (4")	•	•	•	•	•	•	•	•	• ¹⁾	• ¹⁾
	DN 150 (6")	•	•	•	•	•	•	•	•	• ¹⁾	• ¹⁾
	DN 200 (8")	•	•	•	•	•	•	•	•	• ¹⁾	• ¹⁾

Technical specifications (continued)

Standard: 7ME463-...										
Sensor	Connection	ISO 228-1 G female pipe thread	ASME B1.20.1 NPT female pipe thread	DIN 11851 hygienic screwed	DIN 32676 clamp (ISO) Row A	SMS 1145 hygienic screwed	JIS B2220:200- 4/10K	JIS B2220:200- 4/20K	EN 1092-1 PN 16, NAMUR length	EN 1092-1 PN 40, NAMUR length
DN 15 (½")	DN 10 (3/8")	•		•	•		•	•		
	DN 15 (½")	•	•	•	•		•	•		•
	DN 20 (¾")			•	•		•	•		
DN 25 (1")	DN 20 (¾")			•	•		•	•		
	DN 25 (1")			•	•	•	•	•		•
	DN 40 (1½")			•	•	•	•	•		
DN 50 (2")	DN 40 (1½")			•	•	•	•	•		
	DN 50 (2")			•	•	•	•	•		•
	DN 65 (2½")			•	•	•	•	•		
DN 80 (3")	DN 65 (2½")			•	•	•	•	•		
	DN 80 (3")			•	•	•	•	•		•
	DN 100 (4")			•	•		•	•		
DN 100 (4")	DN 80 (3")						•	•		
	DN 100 (4")						•	•	•	
	DN 150 (6")						•	•		
DN 150 (6")	DN 100 (4")							•		
	DN 150 (6")							•	•	
	DN 200 (8")							•		

¹⁾ Apply class 600 p and t ratings for class 900 and class 1500 flanges.

Hygienic sensor variants

The hygienic sensors will have to be ordered with stainless steel tubes 316L/1.4435/1.4404 (polished). Hygienic sensors are offered with process connection conforming to various international quick-connect clamps or threaded connectors. Pressure ratings are according to the relevant standard and the sensor size.

NAMUR sensor variants

The NAMUR variants have built-in lengths according to NAMUR recommendation NE 132. The recommendations of NE 132 are stated for sensors with flanges the same size as the sensor nominal size, and for flanges to EN 1092-1 PN 40 with B1 flange facing. For DN 100 and DN 150 flanges to PN 16.

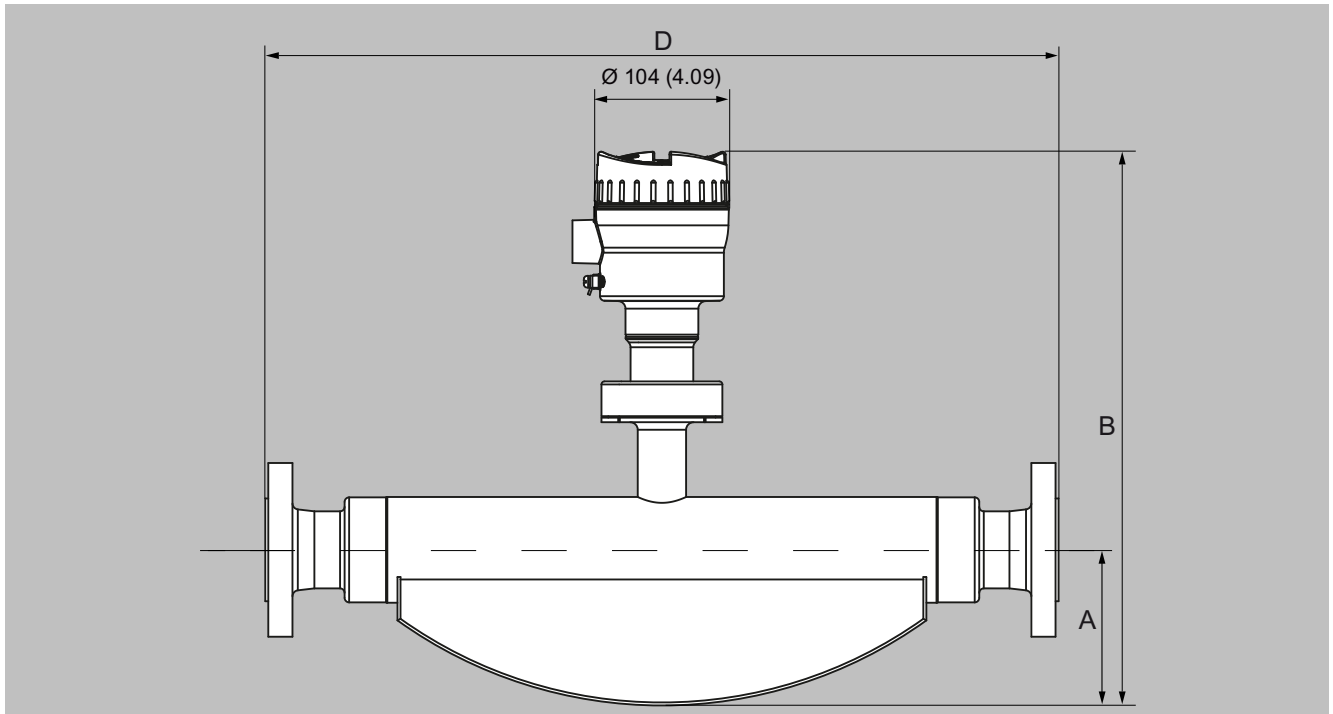
Flow Measurement

SITRANS FC (Coriolis)

Sensors and Flowmeter systems / SITRANS FCS300 flow sensor

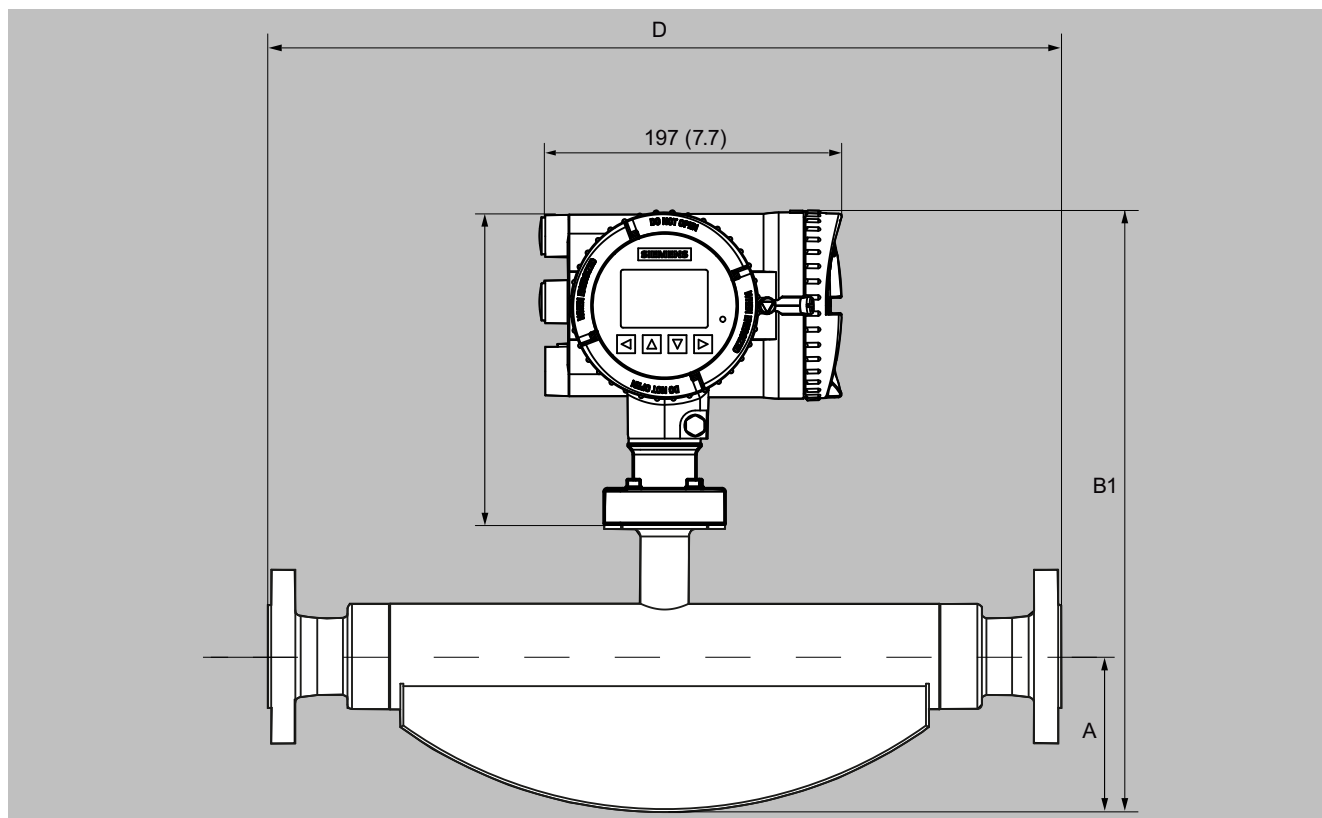
Dimensional drawings

Sensor dimensions



SITRANS FCS300 remote sensor

Dimensional drawings (continued)



SITRANS FCS300 compact

Sensor DN	A		B		B1		Weight ¹⁾	
	[mm]	[inch]	[mm]	[inch]	[mm]	[inch]	[kg]	[lb]
15 (½")	80	3.15	358	14.09	387	15.19	4.6	10.1
25 (1")	103	4.06	398	15.67	427	16.77	7.9	17.4
50 (2")	126	4.96	435	17.13	464	18.23	25.7	56.7
80 (3")	181	7.13	525	20.67	554	21.77	66.5	147
100 (4")	262	10.31	622	24.49	651	25.59	128	282
150 (6")	317	12.48	714	28.11	743	29.21	207	456

¹⁾ For FCT030 compact add 4 kg (8.8 lb)

SITRANS FCS300, dimensions in mm (inch), weights in kg (lb), for a EN 1092 PN 40 flanged version.

The built-in length D depends on the flange.

Overall length

The overall length (**built-in length D**) of each sensor depends on the connection standard and the pressure rating. The tables below summarize the dimensions available at the time of publishing. Please contact Siemens for further information about our desired process connection specification.

Sensor in AISI 316L: 7ME463.-...

Sensor AISI 316L Connection	DN 15 (½")		DN 25 (1")			DN 50 (2")			DN 65 (2½")
	DN 10 (3/8")	DN 15 (½")	DN 20 (¾")	DN 20 (¾")	DN 25 (1")	DN 40 (1½")	DN 40 (1½")	DN 50 (2")	
	[mm]	[mm]	[mm]	[mm]	[mm]	[mm]	[mm]	[mm]	[mm]
EN 1092-1 B1, PN 16									
EN 1092-1 B1, PN 40	385	385	421	576	525	576	763	715	763
EN 1092-1 B2, PN 63		403			564	572	745	745	
EN 1092-1 B2, PN 100		403			564	572	745	757	
EN 1092-1 D, PN 40		385			525			715	

Flow Measurement

SITRANS FC (Coriolis)

Sensors and Flowmeter systems / SITRANS FCS300 flow sensor

Dimensional drawings (continued)

Sensor Connection	DN 15 (1/2")			DN 25 (1")			DN 50 (2")		
	DN 10 (3/8")	DN 15 (1/2")	DN 20 (3/4")	DN 20 (3/4")	DN 25 (1")	DN 40 (1 1/2")	DN 40 (1 1/2")	DN 50 (2")	DN 65 (2 1/2")
ASME B16.5, class 150		435	421	575	575	576	763	715	763
ASME B16.5, class 300		421			576	576	756	763	
ASME B16.5, class 600		421			576	576	756	773	
ASME B16.5, class 900		421			576		780	790	800
ASME B16.5, class 1500		421			576		780	790	800
ISO 228-1 G female pipe thread		450							
ASME B1.20.1 NPT female pipe thread		450							
DIN 11851 hygienic screwed	413	413	413	590	590	590	763	740	740
DIN 32676 (ISO) Row A hygienic clamp	413	413	413	590	590	590	763	740	740
SMS 1145 hygienic screwed					590	590	763	740	740
JIS B2220/10K	385	385	421	576	525	576	763	715	763
JIS B2220/20K	385	385	421	576	525	576	763	715	763
EN 1092-1 PN 16, NAMUR length									
EN 1092-1 PN 40, NAMUR length		510			600			715	

Sensor Connection	DN 80 (3")			DN 100 (4")			DN 150 (6")		
	DN 65 (2 1/2")	DN 80 (3")	DN 100 (4")	DN 80 (3")	DN 100 (4")	DN 150 (6")	DN 100 (4")	DN 150 (6")	DN 200 (8")
	[mm]	[mm]	[mm]	[mm]	[mm]	[mm]	[mm]	[mm]	[mm]
EN 1092-1 B1, PN 16			875	1222	1122	1300	1569	1421	1587
EN 1092-1 B1, PN 40	910	870	875	1222	1144	1300	1599	1461	1637
EN 1092-1 B2, PN 63	910	910	1060	1234	1304				
EN 1092-1 B2, PN 100	910	910	1080	1234	1334				
EN 1092-1 D, PN 40		870							
ASME B16.5, class 150		880	880	1244	1144	1330	1630	1485	1650
ASME B16.5, class 300	920	895	1075	1324	1324	1350	1630	1505	1670
ASME B16.5, class 600	920	920	1100	1244	1354	1435	1675	1555	
ASME B16.5, class 900	965	1100	1130	1470	1380	1450	1705	1605	
ASME B16.5, class 1500	965	1300	1150	1500	1400	1510	1725	1665	
ISO 228-1 G female pipe thread									
ASME B1.20.1 NPT female pipe thread									
DIN 11851 hygienic screwed	990	940	940						
DIN 32676 (ISO) Row A hygienic clamp	950	910	910						
SMS 1145 hygienic screwed	990	940							
JIS B2220/10K	910	870		1275	1150	1300			
JIS B2220/20K	920	910		1275	1150	1308	1485		
EN 1092-1 PN 16, NAMUR length									
EN 1092-1 PN 40, NAMUR length		915							

Sensor Connection	DN 15 (1/2")			DN 25 (1")			DN 50 (2")		
	DN 10 (3/8")	DN 15 (1/2")	DN 20 (3/4")	DN 20 (3/4")	DN 25 (1")	DN 40 (1 1/2")	DN 40 (1 1/2")	DN 50 (2")	DN 65 (2 1/2")
	[inch]	[inch]	[inch]	[inch]	[inch]	[inch]	[inch]	[inch]	[inch]
EN 1092-1 B1, PN 16									
EN 1092-1 B1, PN 40	15.16	15.16	16.57	22.68	20.67	22.68	30.04	28.15	30.04
EN 1092-1 B2, PN 63		15.87			22.20	22.52	29.33	29.33	
EN 1092-1 B2, PN 100		15.87			22.20	22.68	29.33	29.33	
EN 1092-1 D, PN 40		15.16			20.67			28.15	
ASME B16.5, class 150		17.13	16.57	22.64	22.64	22.68	30.04	28.15	29.76
ASME B16.5, class 300		16.57			22.68	22.68	29.76	30.04	
ASME B16.5, class 600		16.57			22.68	22.68	29.76	30.43	
ASME B16.5, class 900		16.57			22.68		30.71	31.10	31.50
ASME B16.5, class 1500		16.57			22.68		30.71	31.10	31.50
ISO 228-1 G female pipe thread		17.72							

Dimensional drawings (continued)

Sensor Connection	DN 15 (1/2")			DN 25 (1")			DN 50 (2")		
	DN 10 (3/8")	DN 15 (1/2")	DN 20 (3/4")	DN 20 (3/4")	DN 25 (1")	DN 40 (1 1/2")	DN 40 (1 1/2")	DN 50 (2")	DN 65 (2 1/2")
ASME B1.20.1 NPT female pipe thread		17.72							
DIN 11851 hygienic screwed	16.26	16.26	16.26	23.23	23.23	23.23	30.04	29.13	29.13
DIN 32676 (ISO) Row A hygienic clamp	16.26	16.26	16.26	23.23	23.23	23.23	30.04	29.13	29.13
SMS 1145 hygienic screwed					23.23	23.23	30.04	29.13	29.13
JIS B2220/10K	15.16	15.16	16.57	22.68	20.67	22.68	30.04	28.15	30.04
JIS B2220/20K	15.16	15.16	16.57	22.68	20.67	22.68	30.04	28.15	30.04
EN 1092-1 PN 16, NAMUR length									
EN 1092-1 PN 40, NAMUR length		20.08			23.62			28.15	

Sensor Connection	DN 80 (3")			DN 100 (4")			DN 150 (6")		
	DN 65 (2 1/2")	DN 80 (3")	DN 100 (4")	DN 80 (3")	DN 100 (4")	DN 150 (6")	DN 100 (4")	DN 150 (6")	DN 200 (8")
	[inch]	[inch]	[inch]	[inch]	[inch]	[inch]	[inch]	[inch]	[inch]
EN 1092-1 B1, PN 16			34.45	48.11	44.17	49.61	61.77	55.94	62.48
EN 1092-1 B1, PN 40	35.83	34.25	34.45	48.11	45.04	49.61	62.95	57.52	64.96
EN 1092-1 B2, PN 63	35.83	35.83	41.73	48.58	51.34				
EN 1092-1 B2, PN 100	35.83	35.83	42.52	48.58	52.52				
EN1092-1 D, PN 40		34.25							
ASME B16.5, class 150		34.65	34.65	48.98	45.04	52.36	64.17	58.46	64.96
ASME B16.5, class 300	36.22	35.24	42.32	48.98	52.13	55.12		59.25	65.75
ASME B16.5, class 600	36.22	36.22	43.31	48.98	53.31	57.14	65.94	61.22	
ASME B16.5, class 900	37.99	43.31	44.49	57.87	54.33	57.09	67.13	63.19	
ASME B16.5, class 1500	37.99	51.18	45.28	59.06	55.12	59.45	67.91	65.55	
ISO 228-1 G female pipe thread									
ASME B1.20.1 NPT female pipe thread									
DIN 11851 hygienic screwed	38.98	37.01	37.01						
DIN 32676 (ISO) Row A hygienic clamp	37.40	35.83	35.83						
SMS 1145 hygienic screwed	38.98	37.01							
JIS B2220/10K	35.83	34.25		50.20	45.28	50.20			
JIS B2220/20K	35.83	34.25		50.20	45.28	51.50			
EN 1092-1 PN 16, NAMUR length					55.12			66.93	
EN 1092-1 PN 40, NAMUR length		36.02							

Sensor in nickel-alloy C4: 7ME463.-...

Sensor nickel-alloy C4 Connection	DN 15 (1/2")			DN 25 (1")			DN 50 (2")		
	DN 10 (3/8")	DN 15 (1/2")	DN 20 (3/4")	DN 20 (3/4")	DN 25 (1")	DN 40 (1 1/2")	DN 40 (1 1/2")	DN 50 (2")	DN 65 (2 1/2")
	[mm]	[mm]	[mm]	[mm]	[mm]	[mm]	[mm]	[mm]	[mm]
EN 1092-1 B1, PN 40	449	442	428	646	614	576	814	764	819
EN 1092-1 B2, PN 63	449	442	428	646	614	576	814	764	819
EN 1092-1 B2, PN 100	449	442	428	646	614	576	814	764	819
ANSI B16.5, class 150		442	428	646	614	576	814	764	819
ANSI B16.5, class 300		442	428	646	614	576	814	764	819
ANSI B16.5, class 600		442	428	646	614	576	814	764	819
JIS B2220/10K		442	428	646	614	576	814	764	819

Flow Measurement

SITRANS FC (Coriolis)

Sensors and Flowmeter systems / SITRANS FCS300 flow sensor

Dimensional drawings (continued)

Sensor Connection	DN 80 (3")		DN 100 (4")			DN 150 (6")			
	DN 65 (2½")	DN 80 (3")	DN 100 (4")	DN 80 (3")	DN 100 (4")	DN 150 (6")	DN 100 (4")	DN 150 (6")	DN 200 (8")
	[mm]	[mm]	[mm]	[mm]	[mm]	[mm]	[mm]	[mm]	[mm]
EN 1092-1 B1, PN 16			971	1357	1280	1261	1592	1502	
EN 1092-1 B1, PN 40	1021	971	971	1357	1280	1261	1592	1502	
EN 1092-1 B2, PN 63	1021		971	1357	1280	1261	1632	1542	
EN 1092-1 B2, PN 100	1021	971	971	1357	1280	1261	1632	1542	
ANSI B16.5, class 150	1021	971	971	1357	1280	1261	1592	1502	
ANSI B16.5, class 300	1021	971	971	1357	1280	1261	1632	1542	
ANSI B16.5, class 600	1021	971	971	1357	1280	1261	1632	1542	
JIS B2220/10K	1021	971	971	1357	1280	1261	1592	1502	

Sensor Connection	DN 15 (½")		DN 25 (1")			DN 50 (2")			
	DN 10 (3/8")	DN 15 (½")	DN 20 (¾")	DN 20 (¾")	DN 25 (1")	DN 40 (1½")	DN 40 (1½")	DN 50 (2")	DN 65 (2½")
	[inch]	[inch]	[inch]	[inch]	[inch]	[inch]	[inch]	[inch]	[inch]
EN 1092-1 B1, PN 40	17.7	17.4	16.9	25.4	24.2	22.7	32.0	30.1	32.2
EN 1092-1 B2, PN 63	17.7	17.4	16.9	25.4	24.2	22.7	32.0	30.1	32.2
EN 1092-1 B2, PN 100	17.7	17.4	16.9	25.4	24.2	22.7	32.0	30.1	32.2
ANSI B16.5, class 150		17.4	16.9	25.4	24.2	22.7	32.0	30.1	31.2
ANSI B16.5, class 300		17.4	16.9	25.4	24.2	22.7	32.0	30.1	31.2
ANSI B16.5, class 600		17.4	16.9	25.4	24.2	22.7	32.0	30.1	31.2
JIS B2220/10K		17.4	16.9	25.4	24.2	22.7	32.0	30.1	32.2

Sensor Connection	DN 80 (3")		DN 100 (4")			DN 150 (6")			
	DN 65 (2½")	DN 80 (3")	DN 100 (4")	DN 80 (3")	DN 100 (4")	DN 150 (6")	DN 100 (4")	DN 150 (6")	DN 200 (8")
	[inch]	[inch]	[inch]	[inch]	[inch]	[inch]	[inch]	[inch]	[inch]
EN 1092-1 B1, PN 16			38.2	53.4	50.4	49.6	62.7	59.1	
EN 1092-1 B1, PN 40	40.2	38.2	38.2	53.4	50.4	49.6	62.7	59.1	
EN 1092-1 B2, PN 63	40.2		38.2	53.4	50.4	49.6	64.3	60.7	
EN 1092-1 B2, PN 100	40.2	38.2	38.2	53.4	50.4	49.6	64.3	60.7	
ANSI B16.5, class 150	40.2	38.2	38.2	53.4	50.4	49.6	62.7	59.1	
ANSI B16.5, class 300	40.2	38.2	38.2	53.4	50.4	49.6	64.3	60.7	
ANSI B16.5, class 600	40.2	38.2	38.2	53.4	50.4	49.6	64.3	60.7	
JIS B2220/10K	35.83	34.25	41.73	53.4	50.4	49.6	62.7	59.1	